

KUDOS USA HYDRAULIC CUTTER HEAD HYSC-32HE

■ Model No. **HYSC-32HE**

Length : 300 mm

Weight : 8.9 kgs

■ Specifications:

Max. Pressure : 700 bar

Oil Required : 135 cc

Max. Output : 25.4 tons / 249 kN

■ Cutting Capacity:

Wire rope 6x7 : 32 mm

Wire rope 6x12 : 32 mm

Wire rope 6x19 : 32 mm

Soft steel bar : 25 mm

Reinforcing rod : 25 mm

Cu strands : 32 mm

Al strands : 32 mm

ACSR : 32 mm

Guy wire 1x7 : 32 mm

Guy wire 1x19 : 32 mm

Soft copper bar : 32 mm

Soft aluminum bar : 32 mm

Underground cable : 32 mm

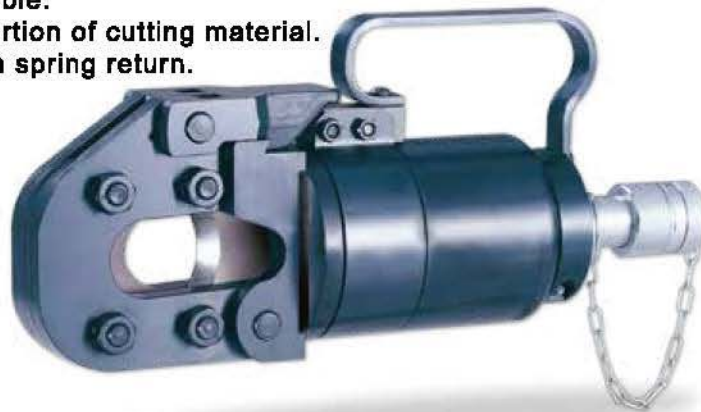
Cutting of plano wire is prohibited.

■ Features:

- Functional handle for convenient operation.
- Fast cutting with remote operation.
- Operated any hydraulic pump with rated oil pressure of 700 bar(10,000psi).
- Single action piston/cylinder arrangement.
- Blades are easily replaceable.
- Flip-top latch for easy insertion of cutting material.
- Single action cylinder with spring return.

■ Accessories:

Carrying Bag



KUDOS USA HYDRAULIC CUTTER HEAD HYSC-32HE

HYSC-32HE #13	Moving Blade
HYSC-32HE #2	Fixed Blade

